

HFA FORWARD PATH HEADEND AMPLIFIER



- DOCSIS 3.1 compatible frequency range
- Independent local electronic configuration interface
- Remote management and configuration

TECHNICAL SPECIFICATIONS

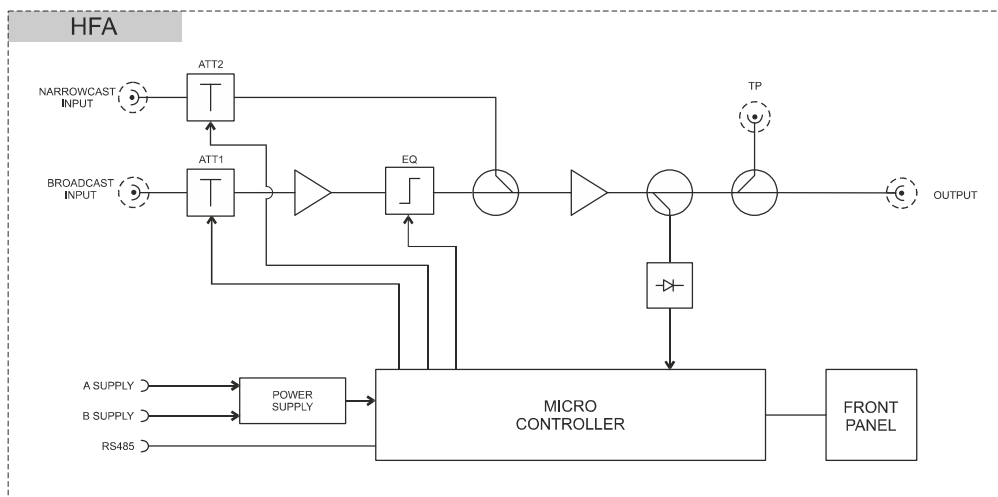
RF parameters	HFA-25	HFA-30
Frequency range [MHz]	47...1218	
Gain (broadcast) [dB]	25.5 ± 0.5	30.5 ± 0.5
Gain (narrowcast) [dB]	6.5 ± 0.5	11.5 ± 0.5
Flatness [dB]	±0.5	
Return loss [dB]	>16	
Broadcast RF attenuator range [dB]	0...16	
Narrowcast RF attenuator range [dB]	0...16	
RF equaliser range [dB]	0...10	
RF output testpoint [dB]	-20 ± 0.5	
Port-to-port isolation (NC to BC) [dB]	>50	
CTB [dBc]	-64 ⁽¹⁾	-72 ⁽¹⁾
CSO [dBc]	-70 ⁽¹⁾	-70 ⁽¹⁾
XMOD [dB]	-60 ⁽¹⁾	-63 ⁽¹⁾
CIN [dB]	66 ⁽¹⁾	69 ⁽¹⁾
Noise-to-power ratio (NPR) maximum / Dynamic range of NPR > 42 [dB]	56 / 28 ⁽²⁾	TBD
Noise figure [dB]	4.0	
General parameters		
Power consumption [W]	6.5	7.2
Operational temperature range [°C]	0...+50	
Dimensions [mm]	230x130x35	
Weight [kg]	0.5	

(1) 42 dBmV flat with a channel loading of 79 NTSC + 75 digital channels (-6 dB offset)

(2) Measured with flat full spectrum load between 47 and 1218 MHz, TCP = 57 dBmV @ NPR_{max}

Specifications are subject to change without notice!

BLOCK DIAGRAM



ORDERING INFORMATION

H F A - X X

RF gain (broadcast)	
25	25 dB
30	30 dB

Specifications are subject to change without notice!